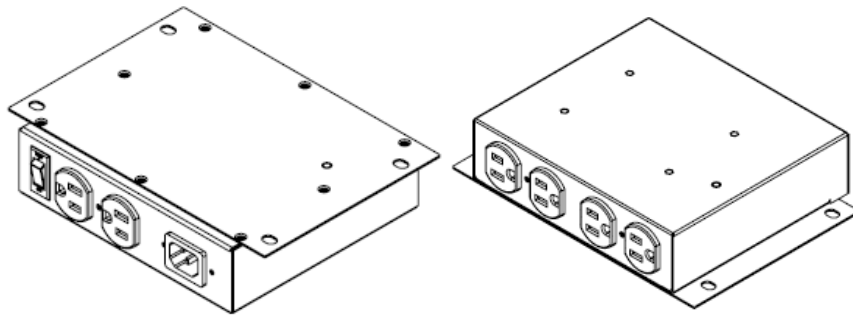




BASEPAK
COMPACT POWER DISTRIBUTION

Quick Start Guide



Switched IP Controllable Surge Protected PDU

ESP-BP-3C-126

**DANGER****HAZARD OF ELECTRICAL SHOCK, EXPLOSION, OR ARC FLASH.**

- BasePak PDU is intended for indoor use only.
- Do not install BasePak PDU where excessive moisture or heat is present.
- Never install any wiring, equipment, or PDUs during a lightning storm.
- Plug this BasePak PDU into a three-wire, grounded power outlet only. The power outlet must be connected to appropriate branch circuit/mains protection.
- Use only the supplied brackets for mounting and use only the supplied hardware to attach the mounting brackets.
- Do not use extension cords or adapters with BasePak PDU.
- If a socket-outlet is not accessible to the equipment, a socket-outlet shall be installed.
- Do not work alone under hazardous conditions.
- Check that the power cord, plug, and socket are in good condition.
- Disconnect the BasePak PDU from the power outlet before installing or connecting equipment to reduce the risk of electric shock when you cannot verify grounding. Reconnect the BasePak PDU to the power outlet only after all connections are made.
- BasePak PDU installation instructions require verification of the protective earthing connection of the socket-outlet by an expert.
- This equipment is not suitable for use in locations where children are likely to be present.
- Use a protective earth connector with equipment. This type of connector carries the leakage current from the load devices (computer equipment). Do not exceed a total leakage current of 3.5 mA.
- Do not handle any kind of metallic connector before the power has been removed.
- Use one hand, whenever possible, to connect or disconnect signal cables to avoid a possible shock from touching two surfaces with different grounds.
- This unit does not have any user-serviceable parts. Repairs are to be performed only by factory-trained service personnel.
- The BasePak PDU is intended to be installed and operated by an expert in a controlled location with restricted access.
- The ambient operating temperature of a closed or multi-unit rack environment may be greater than the ambient temperature of the room. Ensure the ambient operating temperature of your rack environment does not exceed the rated ambient operating temperature for the device.
- Ensure the BasePak PDU is mounted securely and evenly.
- To avoid possible electrical shock and equipment damage, use only the supplied hardware.

Failure to follow these instructions will result in death or serious injury.

1. Installation and Components

BasePak PDU is designed to be installed horizontally or vertically, mounted to a wall or table. Use the integral mounting brackets to install BasePak PDU following the appropriate local regulations and requirements. Four of the following minimum screw sizes must be used:

Minimum of #10 screw with no less than a 0.250" head diameter if using the (4) round holes. Minimum of ¼-20" thread with no less than a 0.430" head diameter if using the slotted holes. The supplied nuts and screws must be used to mount and install to the BasePak PDU through the mounting holes following the appropriate local regulations and requirements.

1.1 AC Power: Output

Plug the equipment cord into the suitable outlet as needed. In Manual, review Introduction, Physical Interfaces, and column Outputs for the suitable plugs for each model's outlets.

1.2 AC Power: Input

Connect power to the BasePak PDU using the power cord provided with the equipment. Do not plug the unit into a relocatable power tap. Check the outlet for correct polarity and presence of a ground conductor before plugging the unit in.

1.3 LED Indicators

The outlets have a Surge Protection Status LED. These are paralleled in the control interface.

1.4 Circuit Breaker

The resettable Circuit Breaker (CB) used to reset the PDU in case the CB is tripped.